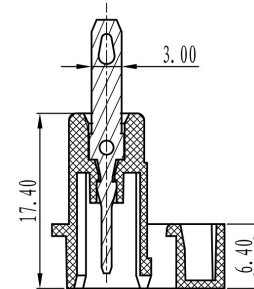
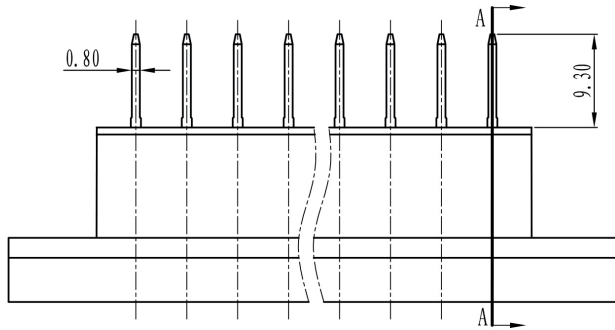
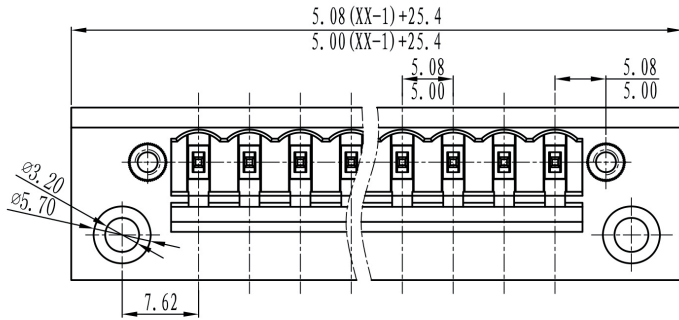


Pitch Printed Circuit Board (PCB) Terminal Block Through Panel Header with Screw Lock

ASIWJ2CDGM-5.08



Certification	
Material	
Lock Nut	M2.5, Brass
Pin/Plate	Phosphor Bronze, Tin Plated
Housing	PA66, UL 94V-0, Green
Electrical	
Standard	UL 1059/CSA C22.2 No. 158
Rated Voltage	300 V
Rated Current	15 A
Contact Resistance	20mΩ
Insulation Resistance	500MΩ/500 Vdc
Withstand Voltage	2000 Vac/1 Min
Mechanical	
Temperature Range	-40°C...+105°C
Size	
Pitch	5.08 mm (.200")
Poles	2P-16P. Additional sizes available on request.

Item	No. of Poles	Length (mm)
ASIWJ2CDGM-5.08-2P	2	30.48
ASIWJ2CDGM-5.08-3P	3	35.56
ASIWJ2CDGM-5.08-4P	4	40.64
ASIWJ2CDGM-5.08-5P	5	45.72
ASIWJ2CDGM-5.08-6P	6	50.8
ASIWJ2CDGM-5.08-7P	7	55.88
ASIWJ2CDGM-5.08-8P	8	60.96
ASIWJ2CDGM-5.08-9P	9	66.04
ASIWJ2CDGM-5.08-10P	10	71.12
ASIWJ2CDGM-5.08-11P	11	76.20
ASIWJ2CDGM-5.08-12P	12	81.28
ASIWJ2CDGM-5.08-13P	13	86.36
ASIWJ2CDGM-5.08-14P	14	91.44
ASIWJ2CDGM-5.08-15P	15	96.52
ASIWJ2CDGM-5.08-16P	16	101.6